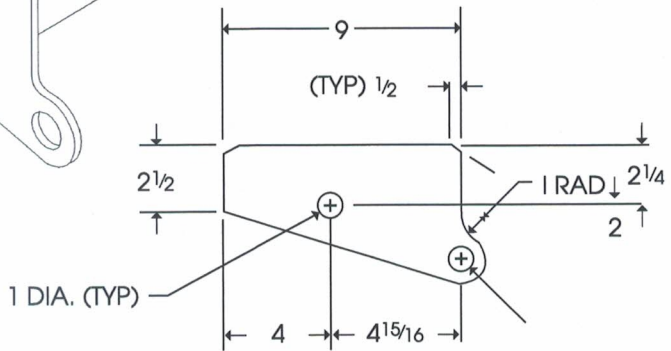
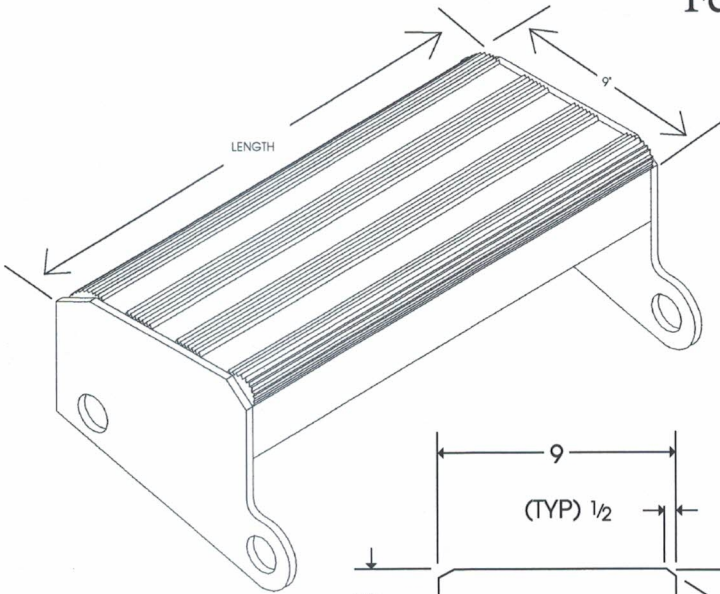


Aluminum Ladder Tread,  
Feathering  
SNF



**SPECIFICATIONS**

*Note: pins and bushings available*

**Use:** Structural Ladder Tread with Feathering End Plates for attaching to Stringers.

**Certified To:** 804-2255402C - PC 14  
S1604-860041 TY-F

**TO ORDER SPECIFY**

*Part No. SNF*

- Length
- Quantity