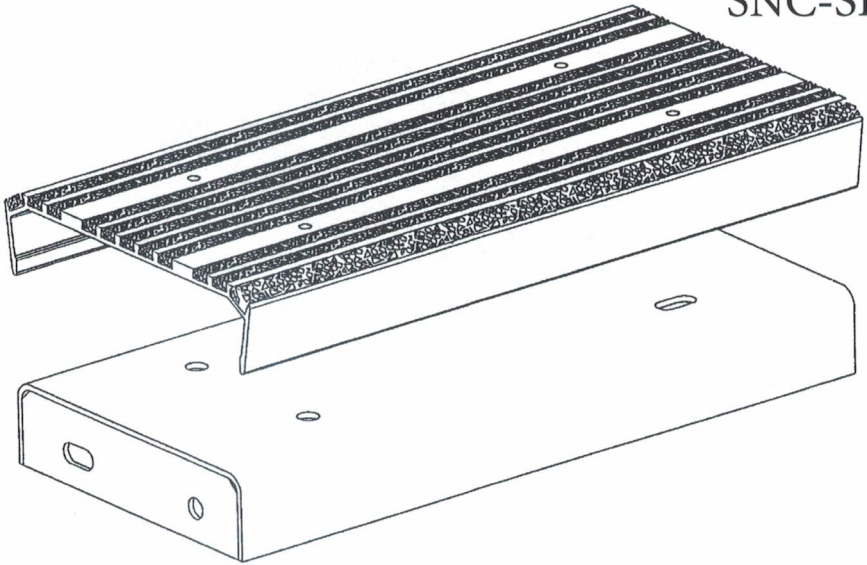


Cap Tread Over Stainless Steel Sub Base SNC-SB



SPECIFICATIONS

Note: hardware available at additional cost

Use: In machinery spaces or deckhouses where Steel inclined Ladders are specified or to replace Type "G" Fiberglass Treads.

Height: 2" Nom.

Width: ■ 4" ■ 6" ■ 9"

Length: As Required

Material: 316 Stainless Base w/ Aluminum Cap

Certified To: MIL-T-24634

Type/PC. No.: Type II Tread w/Sub Base

TO ORDER SPECIFY Cap Tread Over Stainless Steel Sub Base • Part No. SNC-SB

- Width
- Length
- Quantity