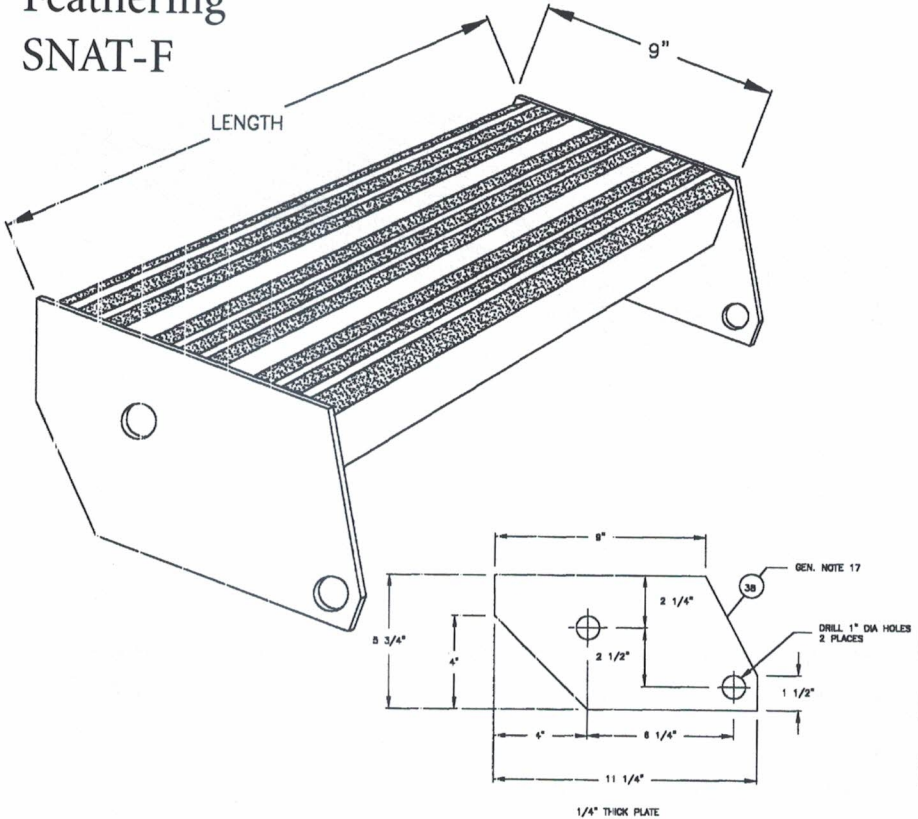


TREADS

Aluminum Ladder Tread

Feathering

SNAT-F



SPECIFICATIONS

Note: pins and bushings available

Use: Structural Ladder Tread with Feathering End Plates for attaching Stringers.

Certified To: 804-2255402B - PC 37
MIL-T-24634 TY-I

TO ORDER SPECIFY

Part No. SNATF

■ Length

■ Quantity

TO ORDER CALL

(603) 625-8639