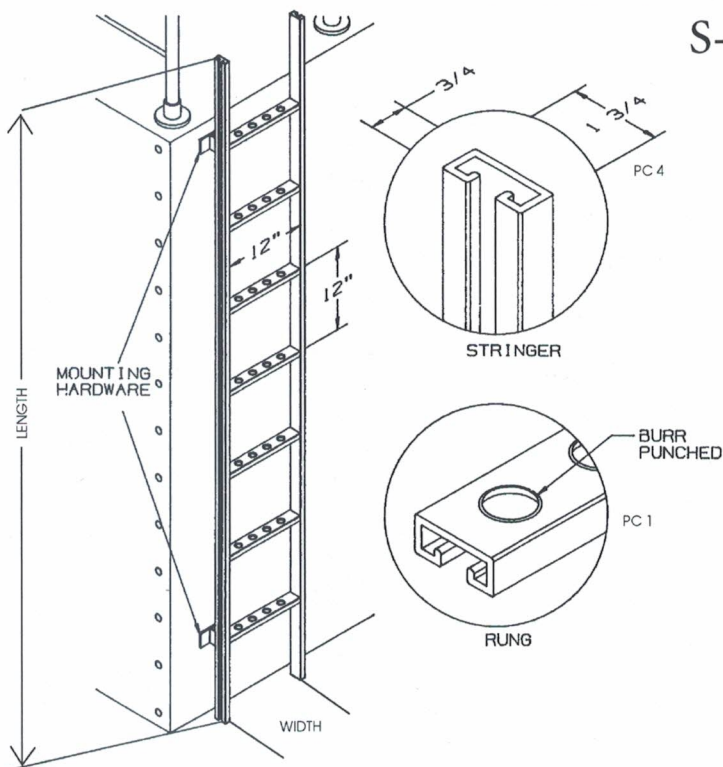


## Steel Vertical Ladder

### S-100



### SPECIFICATIONS

**Width:** 12"

**Length:** As Required

**Material:** Carbon Steel ASTM A5569 or 316 Stainless Steel ASTM A169

*Note: rung and stringer material available for order.*

**Certified To:** S1604-860091 Rev. J.

**Type/PC. No.:** 1 & 4

### TO ORDER SPECIFY

*Steel Vertical Ladder • Part No. S-100 (Steel)  
S-100SS (Stainless Steel)*

- Length
- Is Mounting Hardware Required?
- Distance from Top of Ladder to First Rung
- Quantity
- Distance from Bottom of Ladder to First Rung