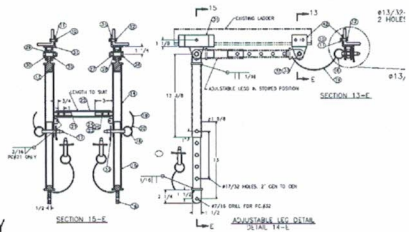
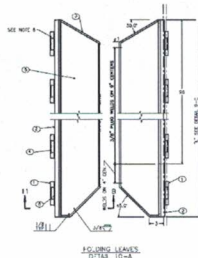
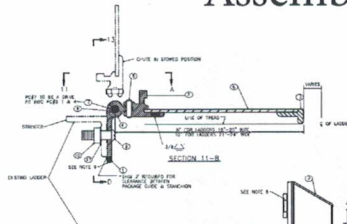
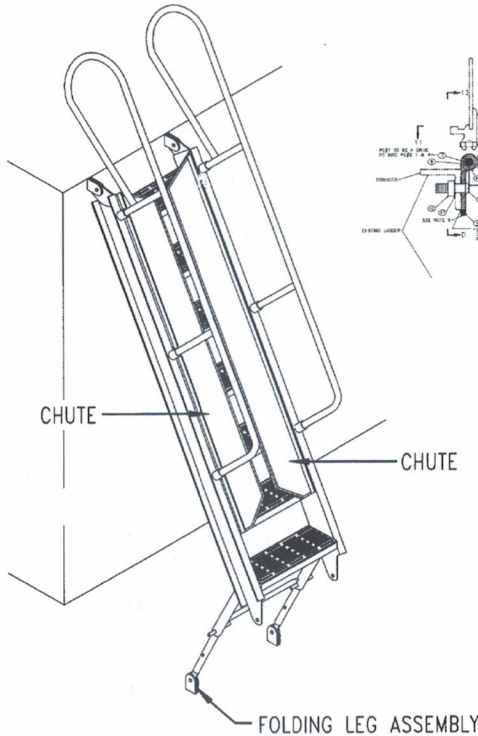


INCLINED LADDERS

Ladder Chute Assembly LC-100



SPECIFICATIONS

Material: Aluminum Alloy

Certified To: 805-1749080 Rev. G

Ladder Width

"A"

■ 18"-20"

8"

■ 21" - 24"

10"

■ Length _____

TO ORDER SPECIFY

- Ladder Width
- Length - Distance from Top of Stringer Flange to Nose of Second Tread from Bottom
- Smooth or Non-Skid Surface

Ladder Chute Assembly • Part No. LC-100

- With/Without Folding Leg Assembly
- Quantity