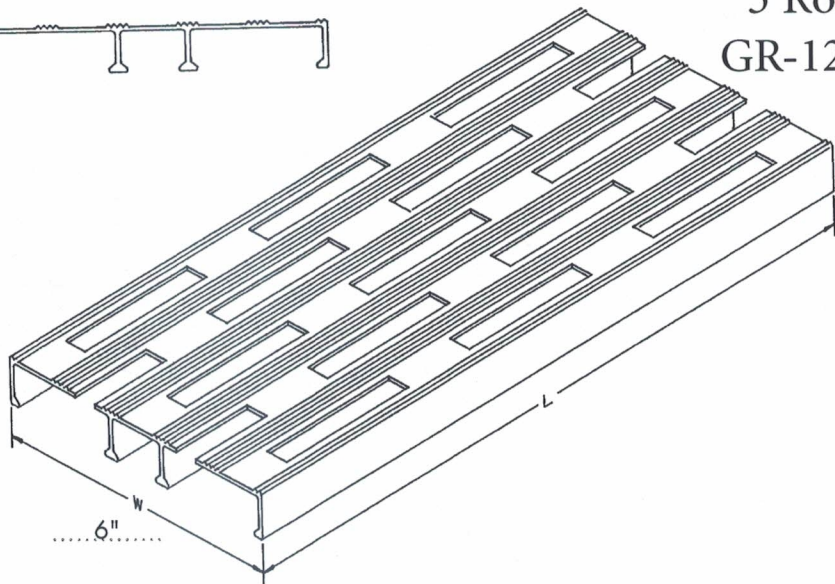
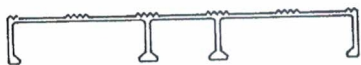


Light Duty Plank Grating –
Deck Type I
5 Row
GR-122



SPECIFICATIONS

Note: available in panels

Height: 1" **Certified To:** MIL-G-18015A
Length: To 26' **Type/PC. No.:** Type IV
Material: 6063-T6 Aluminum

PUNCH STYLES

Rectangular Staggered, 3" x $1\frac{19}{32}$ "
Round, Staggered $1\frac{3}{16}$ " Diameter

TO ORDER SPECIFY

Light Duty Plank Grating • Part No. GR-122

- Length to 26'
- Punch Style