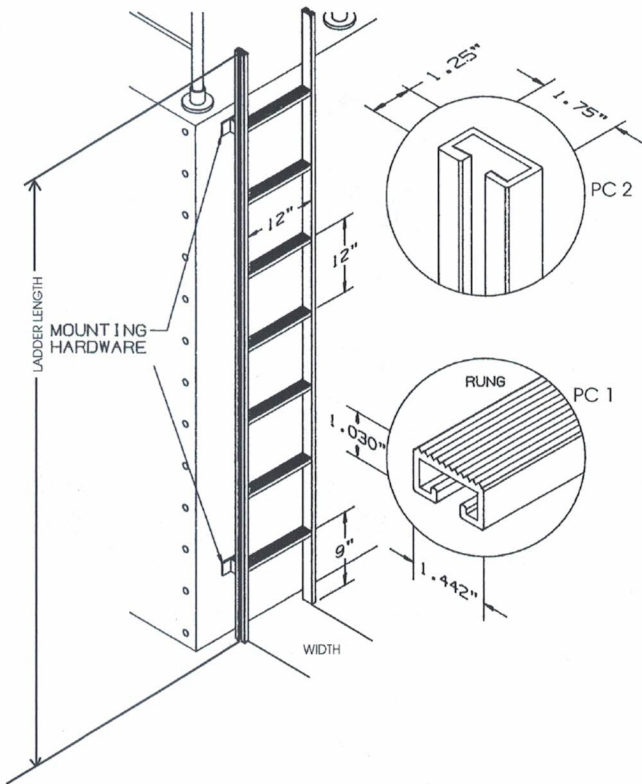


VERTICAL LADDERS



Aluminum Vertical Ladder

AL-100



SPECIFICATIONS

Note: rung and stringer material available for order.

Width: 12"

Certified To: 805-1360280 Rev.H

Length: As Required

Type/PC. No.: 1 & 2

Material: 6061-T6 Aluminum

TO ORDER SPECIFY

Aluminum Vertical Ladder • Part No. AL-100

Length

Is Mounting Hardware Required?

Distance from Top of Ladder to First Rung

Quantity

Distance from Bottom of Ladder to First Rung

TO ORDER CALL

(603) 625-8639