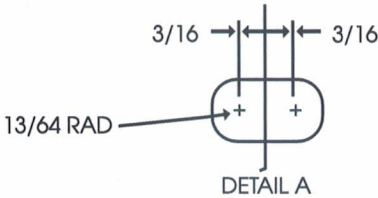
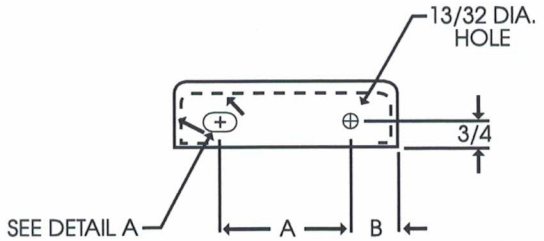


SNH-TREADS



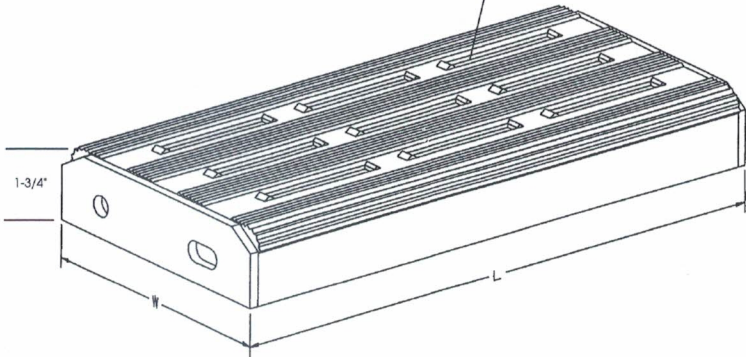
Aluminum Ladder Tread



| TREAD WIDTH | A | B |
|-------------|-------------------------------|-------------------------------|
| 4 | 2 | 1 |
| 6 | 3 ¹ / ₂ | 1 ¹ / ₄ |
| 9 | 6 ¹ / ₂ | 1 ¹ / ₄ |

TABLE A

PUNCH
 RECTANGULAR UPSET
 PLAIN SURFACE



TO ORDER SPECIFY

Part No. SNH

Width 4" 6" 9"

Length _____

Surface Plain Rectangular Punch

End Holes Yes No

Certified To: S1604-860041 TY-F

TO ORDER CALL

(603) 625-8639